



Office seating

# PRICE MENU 2011

VALID FROM 14<sup>TH</sup> FEBRUARY 2011



## **Lean back and enjoy the difference**

Increasing use of high technology has meant we are spending more and more time sitting in our office chairs - but our body was created for motion and movement. This paradox is the basis of Savo's product philosophy. This knowledge has inspired our development of the sitting concept Savo Floating Tilt®. Savo Floating Tilt® chairs stimulate the body's natural need for movement whilst giving necessary support.

## **A philosophy that makes a difference**

We focus on several areas when we develop office chairs. Our guiding principle is the total experience: the satisfaction of being able to sit comfortably – and for extended periods of time – without tired backs, or aching neck and shoulders. The result is plain to see in our entire, wide range, from simple and robust chairs to the most elegant seating.

Naturally, both architects and users are involved early in the process. Their comments formed an important contribution to the way Savo office chairs work and look.

## **Savo and the environment**

Our production is certified according to ISO 14001. Our environmental work is about offering office chairs with a long technical and functional lifetime, fulfilling current environmental requirements of the highest degree.



## LIST OF CONTENTS

<b>Savo's selected fabrics</b>	4
<b>Other information</b>	4
<b>Office chairs</b>	
Savo Ikon/Maxikon	5
Savo S3	6
Savo XO	6
Savo Eos	7
Savo Astarte/Apollo	7
Savo Stool	8
Savo Studio	8
<b>Meeting chair</b>	
Savo Invite	9
<b>Description and prices for options</b>	10
<b>Measurements</b>	11

## SAVO'S SELECTED FABRICS

### Delivery time 15 working days:

Price groups	Fabric	Description	Colour	Abrasion resistance (Martindale)	Supplier
D (1)	Xtreme Plus	Flame retardant polyester	<b>220</b> (046, grey), <b>221</b> (106, red), <b>222</b> (009, black), <b>223</b> (100, blue)	100 000	Camira
F (2)	Fame	95% wool	<b>153</b> (64089, red), <b>154</b> (66071, blue), <b>161</b> (60999, black), <b>162</b> (66061, navy blue), <b>163</b> (60051, grey), <b>165</b> (60019, grey)	200 000	Gabriel
	Oxygen	90% wool	<b>140</b> (008, green), <b>141</b> (001, black), <b>142</b> (005, grey), <b>143</b> (002, dark blue), <b>144</b> (015, brown), <b>145</b> (004, light grey), <b>146</b> (021, blue), <b>147</b> (020, dark red), <b>148</b> (030, red), <b>149</b> (034, orange)	100 000	Camira
H (3)	Heidal	80% new wool	<b>291</b> (190, dark grey), <b>292</b> (120, grey), <b>293</b> (370, brown), <b>294</b> (220, beige)	82 000	GU
J (5)	Classica	Polyester micro fibre	<b>230</b> (9059, black), <b>231</b> (9189, grey), <b>232</b> (9064, brown), <b>233</b> (9232, red), <b>234</b> (8426, blue), <b>235</b> (9279, navy), <b>236</b> (9563, green)	≥ 116 000	Dinamica
K (6)	Comfort+	Polyester micro fibre	<b>650</b> (049, grey), <b>651</b> (050, black), <b>661</b> (1414, red), <b>668</b> (68001, green), <b>669</b> (010, brown), <b>670</b> (66004, blue), <b>671</b> (040, navy blue)	150 000	Gabriel
Black leather	Elmosoft	Semi anilin leather	<b>501</b> (99999, black)	20N (tear strength)	Elmo Leather
Mesh	Puma	100% polyester	<b>490</b> (5, white), <b>491</b> (1, black)	40 000	FiDiVi

### Savo Impress:

K (6)	Atlantic (Maxikon)	Polyester	<b>532</b> (60025, dark grey), <b>535</b> (60061, white), <b>531</b> (60999, black), <b>533</b> (61077, brown), <b>534</b> (65037, purple), <b>536</b> (66064, dark blue)	80 000	Gabriel
	Byron (XO)	95% wool	<b>592</b> (2101, light grey), <b>591</b> (4101, dark grey), <b>594</b> (6101, brown), <b>593</b> (12101, dark blue)	90 000	Gabriel

### Delivery time 30 working days:

Price groups	Fabric	Supplier	Price groups	Fabric	Supplier
F (2)	Advantage Chateau Plus Phoenix Xtreme Plus <sup>1</sup>	Camira Camira Camira Camira	J (5)	Selected <sup>2</sup> 24/7 Selected <sup>2</sup> Selected <sup>2</sup> Selected <sup>2</sup>	Bogesund Camira Camira Gabriel GU
H (3)	Atlantic Fame <sup>1</sup> Flex Gaja Globe New Aquarius Oxygen <sup>1</sup> Sand	Gabriel Gabriel Gabriel Gabriel Camira Camira Bogesund		Skai Palma Selected <sup>2</sup> Selected <sup>2</sup> Selected <sup>2</sup> Selected <sup>2</sup> Selected <sup>2</sup>	Haug & Forco InnvikSellgren Jørgensen Kvadrat MPV Uddebo
I (4)	Air Space Gandal Heidal <sup>1</sup> Tonus	Camira GU GU Kvadrat	K (6)	Classica <sup>1</sup>	Dinamica
			M <sup>2</sup>	Comfort+ <sup>1</sup>	Gabriel

<sup>1</sup> = Refers to fabric colours outside the assortment with delivery time 15 working days.

<sup>2</sup> = Contact Savo for more information.

Other fabrics/leather not mentioned above can be delivered by Savo. **Price and delivery time upon request.**

If combining two different fabrics, the longest delivery time applies.

We charge the following for changing or cancelling orders in production: 40% of order value for fabrics in stock and 100% for non-stock fabrics.

## OTHER INFORMATION

### Material facts

The Savo chairs are tested and approved according to EN 1335-1-2:3.

Fabrics and material are chosen based on many years of experience and comprehensive testing of strength, quality, stability, surface condition and durability.

### Warranty



Savo gives lifelong warranty for manufacturing defects. The warranty does not cover fair wear and tear. The warranty covers parts, not working cost. Savo does not give warranty on customer's own material.

### Price menu

All prices in Euro FCA Tranås Sweden (Incoterms 2010).

## SAVO IKON/MAXIKON

- Savo Floating Tilt®.
- Adjustable: seat depth, backrest, seat height and tilt resistance.
- Adjustable armrests (in height and width) and head support (in height and depth).
- Lockable backrest.
- Black base as standard.
- Ikon1: Seat and backrest in plastic.
- Ikon2: Upholstered seat, back in plastic.
- Ikon3/Maxikon3: Upholstered seat, upholstered backrest.
- Ikon4/Maxikon4: Upholstered seat, upholstered backrest, with backrest cover.
- Ikon5/Maxikon5: Upholstered seat, upholstered backrest, with upholstered backrest cover.
- Maxikon has higher backrest compared to Ikon.

	Model	Description	Art no	Other	D (1)	F (2)	H (3)	I (4)	J (5)	K (6)	Black leather
 Ikon3/4/5 L	<b>Ikon1</b>		SAV12	<b>687,82</b>							
	<b>Ikon2</b>		SAV13		<b>846,54</b>	<b>856,63</b>	<b>893,79</b>	<b>875,21</b>	<b>926,91</b>	<b>950,32</b>	<b>1 169,62</b>
	<b>Ikon2L</b>	With armrests	SAV13L		<b>995,56</b>	<b>1 005,66</b>	<b>1 042,81</b>	<b>1 024,63</b>	<b>1 075,52</b>	<b>1 099,35</b>	<b>1 318,23</b>
 Maxikon3/4/5 LN	<b>Ikon2LN</b>	With armrests and head support	SAV13LN		<b>1 142,56</b>	<b>1 175,27</b>	<b>1 190,21</b>	<b>1 205,56</b>	<b>1 222,12</b>	<b>1 258,06</b>	<b>1 465,23</b>
	<b>Ikon3</b>		SAV14		<b>922,06</b>	<b>950,73</b>	<b>992,32</b>	<b>997,57</b>	<b>1 024,23</b>	<b>1 048,06</b>	<b>1 267,35</b>
	<b>Ikon3L</b>	With armrests	SAV14L		<b>1 070,67</b>	<b>1 099,75</b>	<b>1 140,94</b>	<b>1 146,19</b>	<b>1 172,85</b>	<b>1 197,07</b>	<b>1 415,96</b>
	<b>Ikon3LN</b>	With armrests and head support	SAV14LN		<b>1 234,63</b>	<b>1 291,57</b>	<b>1 330,35</b>	<b>1 354,17</b>	<b>1 400,21</b>	<b>1 455,54</b>	<b>1 823,44</b>
	<b>Ikon4</b>		SAV15		<b>955,57</b>	<b>988,29</b>	<b>1 025,04</b>	<b>1 041,60</b>	<b>1 057,35</b>	<b>1 081,98</b>	<b>1 300,06</b>
	<b>Ikon4L</b>	With armrests	SAV15L		<b>1 104,60</b>	<b>1 136,91</b>	<b>1 174,06</b>	<b>1 190,62</b>	<b>1 206,37</b>	<b>1 230,60</b>	<b>1 449,07</b>
	<b>Ikon4LN</b>	With armrests and head support	SAV15LN		<b>1 267,75</b>	<b>1 324,69</b>	<b>1 391,32</b>	<b>1 413,13</b>	<b>1 433,73</b>	<b>1 488,66</b>	<b>1 572,25</b>
	<b>Ikon5</b>		SAV16		<b>1 007,27</b>	<b>1 065,82</b>	<b>1 148,21</b>	<b>1 140,94</b>	<b>1 194,25</b>	<b>1 259,27</b>	<b>1 677,25</b>
	<b>Ikon5L</b>	With armrests	SAV16L		<b>1 156,29</b>	<b>1 214,85</b>	<b>1 297,23</b>	<b>1 289,96</b>	<b>1 342,87</b>	<b>1 408,69</b>	<b>1 825,87</b>
	<b>Ikon5LN</b>	With armrests and head support	SAV16LN		<b>1 302,88</b>	<b>1 367,50</b>	<b>1 387,29</b>	<b>1 436,56</b>	<b>1 499,96</b>	<b>1 560,54</b>	<b>1 972,46</b>
	<b>Maxikon3</b>		SAV23		<b>943,87</b>	<b>976,57</b>	<b>998,79</b>	<b>1 030,29</b>	<b>1 046,44</b>	<b>1 069,87</b>	<b>1 289,16</b>
	<b>Maxikon3L</b>	With armrests	SAV23L		<b>1 092,48</b>	<b>1 125,19</b>	<b>1 147,41</b>	<b>1 179,31</b>	<b>1 195,06</b>	<b>1 218,88</b>	<b>1 437,77</b>
	<b>Maxikon3LN</b>	With armrests and head support	SAV23LN		<b>1 253,62</b>	<b>1 309,75</b>	<b>1 349,32</b>	<b>1 373,16</b>	<b>1 418,79</b>	<b>1 474,12</b>	<b>1 842,02</b>
	<b>Maxikon4</b>		SAV24		<b>1 005,66</b>	<b>1 009,69</b>	<b>1 025,44</b>	<b>1 059,37</b>	<b>1 086,02</b>	<b>1 109,04</b>	<b>1 328,73</b>
	<b>Maxikon4L</b>	With armrests	SAV24L		<b>1 154,67</b>	<b>1 158,71</b>	<b>1 174,87</b>	<b>1 207,98</b>	<b>1 234,63</b>	<b>1 258,46</b>	<b>1 477,35</b>
	<b>Maxikon4LN</b>	With armrests and head support	SAV24LN		<b>1 296,82</b>	<b>1 342,87</b>	<b>1 405,06</b>	<b>1 386,07</b>	<b>1 462,41</b>	<b>1 517,32</b>	<b>1 886,04</b>
	<b>Maxikon5</b>		SAV25		<b>1 065,82</b>	<b>1 103,79</b>	<b>1 179,71</b>	<b>1 201,52</b>	<b>1 225,35</b>	<b>1 291,17</b>	<b>1 708,35</b>
	<b>Maxikon5L</b>	With armrests	SAV25L		<b>1 214,85</b>	<b>1 252,41</b>	<b>1 328,32</b>	<b>1 350,94</b>	<b>1 373,96</b>	<b>1 440,19</b>	<b>1 856,96</b>
	<b>Maxikon5LN</b>	With armrests and head support	SAV25LN		<b>1 333,98</b>	<b>1 403,04</b>	<b>1 455,54</b>	<b>1 435,75</b>	<b>1 520,56</b>	<b>1 586,55</b>	<b>1 683,71</b>
	<b>Maxikon Impress</b>	Upholstered in the specially designed Atlantic fabric with extra foam. Delivered without the Vikon®-seat.	SAVXXXIMP								
	<b>Vikon®-seat</b>	Vikon®-seat, extra soft seat	SAV609	<b>165,57</b>							
	<b>Polished base</b>	Base in polished aluminium	SAV606	<b>76,32</b>							
	<b>Additional</b>		SAV617	<b>159,93</b>							
	<b>Additional</b>		SAV618	<b>23,43</b>							
	<b>Additional</b>		SAV625		<b>170,82</b>	<b>181,73</b>	<b>189,40</b>	<b>187,79</b>	<b>216,46</b>	<b>228,57</b>	<b>231,81</b>

## SAVO S3

- Savo Floating Tilt®.
- Adjustable: seat depth, seat height and tilt resistance.
- Adjustable armrests (in height and width) and head support (in height and depth).
- Lockable backrest in several positions.
- Black base as standard.
- Upholstered seat, upholstered backrest.



Savo S3 LN

Model	Description	Art no	Other	D (1)	F (2)	H (3)	I (4)	J (5)	K (6)	Black leather
<b>Savo S3</b>		SAV500		<b>867,46</b>	<b>910,27</b>	<b>936,93</b>	<b>987,00</b>	<b>1 035,06</b>	<b>1 115,02</b>	<b>1 339,96</b>
<b>Savo S3 L</b>	With armrests	SAV500L		<b>946,21</b>	<b>989,02</b>	<b>1 015,68</b>	<b>1 065,75</b>	<b>1 113,40</b>	<b>1 193,77</b>	<b>1 418,71</b>
<b>Savo S3 N</b>	With head support	SAV500N		<b>970,44</b>	<b>1 025,77</b>	<b>1 061,71</b>	<b>1 124,71</b>	<b>1 186,50</b>	<b>1 296,35</b>	<b>1 526,94</b>
<b>Savo S3 LN</b>	With armrests and head support	SAV500LN		<b>1 049,19</b>	<b>1 104,52</b>	<b>1 140,46</b>	<b>1 203,06</b>	<b>1 265,25</b>	<b>1 375,10</b>	<b>1 605,69</b>
<b>Polished base</b>		SAV505	<b>63,00</b>							
<b>Additional</b>	Armrests, pair (to order for existing chairs)	SAV503	<b>91,27</b>							
<b>Additional</b>	Fabric covered head support (to order for existing chairs)	SAV504		<b>122,77</b>	<b>134,88</b>	<b>144,18</b>	<b>157,10</b>	<b>171,23</b>	<b>200,71</b>	<b>206,37</b>

## SAVO XO

- Savo Floating Tilt®.
- Adjustable: seat depth, backrest, seat height and tilt resistance.
- Adjustable armrests (in height) and head support (in height).
- Backrest lock as option.
- Polished base as standard.
- Upholstered seat, upholstered backrest, with backrest cover.



XO HLN

Model	Description	Art no	Other	D (1)	F (2)	H (3)	I (4)	J (5)	K (6)	Black leather
<b>XO M</b>	Medium high backrest	SAV78		<b>1 389,63</b>	<b>1 450,62</b>	<b>1 510,38</b>	<b>1 698,98</b>	<b>1 741,79</b>	<b>1 779,35</b>	<b>1 922,71</b>
<b>XO ML</b>	Medium high backrest, with armrests	SAV79		<b>1 625,48</b>	<b>1 686,87</b>	<b>1 746,23</b>	<b>1 935,23</b>	<b>1 978,04</b>	<b>2 015,60</b>	<b>2 158,56</b>
<b>XO HN</b>	High backrest, with head support	SAV80		<b>1 595,19</b>	<b>1 690,50</b>	<b>1 817,31</b>	<b>2 054,77</b>	<b>2 116,15</b>	<b>2 171,88</b>	<b>2 343,93</b>
<b>XO HLN</b>	High backrest, with armrests and head support	SAV81		<b>1 825,38</b>	<b>1 921,10</b>	<b>2 047,50</b>	<b>2 284,96</b>	<b>2 346,35</b>	<b>2 402,48</b>	<b>2 574,52</b>
<b>XO Conf. M</b>	Middle high backrest, with upholstered closed armrests	SAV82		<b>1 537,85</b>	<b>1 665,87</b>	<b>1 781,77</b>	<b>2 148,06</b>	<b>2 230,85</b>	<b>2 314,04</b>	<b>2 526,06</b>
<b>Black base</b>	Black base	SAV631	<b>-30,51</b>							
<b>Backrest lock</b>	Backrest lock in any position (NB! Not for XO Conf. M)	SAV622	<b>132,06</b>							
<b>XO Impress</b>	Upholstered in the specially designed Byron fabric with extra foam. Delivered without the Vikon®-seat.	SAVXXXIMP								

## SAVO EOS

- Savo Floating Tilt®.
- Adjustable: seat depth, backrest, seat height and tilt resistance.
- Adjustable armrests (in height and width).
- Lockable backrest.
- Black base as standard.
- Upholstered seat, upholstered backrest, with backrest cover.



Eos HLN

Model	Description	Art no	Other	D (1)	F (2)	H (3)	I (4)	J (5)	K (6)	Black leather
<b>Eos</b>		SAV28		<b>641,71</b>	<b>701,07</b>	<b>919,56</b>	<b>963,57</b>	<b>988,21</b>	<b>1 011,23</b>	<b>1 148,94</b>
<b>Eos L</b>	With armrests	SAV31		<b>788,31</b>	<b>847,68</b>	<b>1 066,15</b>	<b>1 110,18</b>	<b>1 134,81</b>	<b>1 157,82</b>	<b>1 295,54</b>
<b>Eos H</b>	High backrest	SAV29		<b>650,19</b>	<b>709,96</b>	<b>928,44</b>	<b>972,46</b>	<b>994,27</b>	<b>1 020,12</b>	<b>1 157,43</b>
<b>Eos HL</b>	High backrest, with armrests	SAV32		<b>796,79</b>	<b>856,15</b>	<b>1 074,63</b>	<b>1 119,06</b>	<b>1 140,87</b>	<b>1 166,31</b>	<b>1 304,02</b>
<b>Polished base</b>	Base in polished aluminium	SAV606	<b>76,32</b>							

## SAVO ASTARTE/APOLLO

- Savo Floating Tilt®.
- Adjustable: seat depth, backrest, seat height and tilt resistance.
- Adjustable armrests (in height and width) and head support (in height).
- Lockable seat/backrest.
- Black base as standard.
- Upholstered seat, upholstered backrest, with upholstered backrest cover.



Astarte L

Model	Description	Art no	Other	D (1)	F (2)	H (3)	I (4)	J (5)	K (6)	Black leather
<b>Astarte</b>		SAV38		<b>812,13</b>	<b>869,48</b>	<b>1 004,37</b>	<b>1 119,06</b>	<b>1 142,07</b>	<b>1 171,15</b>	<b>1 256,77</b>
<b>Astarte L</b>	With armrests	SAV39		<b>992,25</b>	<b>1 049,60</b>	<b>1 185,29</b>	<b>1 299,18</b>	<b>1 322,60</b>	<b>1 351,27</b>	<b>1 437,29</b>



Apollo HLN

<b>Apollo</b>		SAV40		<b>867,46</b>	<b>930,06</b>	<b>1 066,15</b>	<b>1 180,44</b>	<b>1 205,48</b>	<b>1 234,15</b>	<b>1 319,77</b>
<b>Apollo L</b>	With armrests	SAV42		<b>1 038,29</b>	<b>1 100,88</b>	<b>1 236,57</b>	<b>1 350,46</b>	<b>1 375,90</b>	<b>1 404,57</b>	<b>1 490,19</b>
<b>Apollo H</b>	High backrest	SAV41		<b>889,27</b>	<b>951,46</b>	<b>1 087,15</b>	<b>1 207,50</b>	<b>1 224,06</b>	<b>1 252,73</b>	<b>1 338,75</b>
<b>Apollo HL</b>	High backrest, with armrests	SAV43		<b>1 014,06</b>	<b>1 076,65</b>	<b>1 211,94</b>	<b>1 331,88</b>	<b>1 348,85</b>	<b>1 377,52</b>	<b>1 463,54</b>
<b>Apollo HLN</b>	High backrest, with armrests and head support	SAV87		<b>1 223,65</b>	<b>1 318,96</b>	<b>1 482,52</b>	<b>1 690,50</b>	<b>1 722,81</b>	<b>1 774,10</b>	<b>1 885,96</b>
<b>Polished base</b>	Base in polished aluminium	SAV606	<b>76,32</b>							

## SAVO STOOL

- Adjustable seat height.
- Comfortable, soft seat.
- Black base as standard.



Savo Stool

Model	Description	Art no	Other	D (1)	F (2)	H (3)	I (4)	J (5)	K (6)	Black leather
<b>Stool</b>	Seat upholstered in fabric/leather.	SAV01		<b>254,82</b>	<b>272,60</b>	<b>337,62</b>	<b>403,04</b>	<b>421,21</b>	<b>438,57</b>	<b>524,19</b>
<b>Stool integral</b>	Seat upholstered in integral foam	SAV03	<b>197,48</b>							
<b>Polished base</b>	Base in polished aluminium	SAV65	<b>90,46</b>							

## SAVO STUDIO

- Adjustable: backrest and angle.



Studio 32

Model	Description	Art no	Other	D (1)	F (2)	H (3)	I (4)	J (5)	K (6)	Black leather
<b>Studio 22</b>	Seat and backrest in moulded integral foam	SAV02	<b>360,23</b>							
<b>Studio 32</b>	Upholstered seat and backrest	SAV84		<b>419,60</b>	<b>492,69</b>	<b>702,29</b>	<b>739,44</b>	<b>777,81</b>	<b>812,13</b>	<b>984,18</b>
<b>Polished base</b>	Base in polished aluminium	SAV65	<b>90,46</b>							

## SAVO INVITE - meeting chair

- Two models: normal and high.
- Adjustable seat height.
- Tilt in back.
- Polished or black design.
- Glides as standard.
- Fabric covered seat, back in black or white Mesh (you have to state Mesh colour when ordering).



Savo Invite High L  
(polished design)

Model	Description	Art no	Other	D (1)	F (2)	H (3)	I (4)	J (5)	K (6)	Black leather
<b>Savo Invite</b>	Polished design	SAV910		<b>458,14</b>	<b>470,38</b>	<b>481,57</b>	<b>501,86</b>	<b>520,04</b>	<b>558,16</b>	<b>641,75</b>
	Black design	SAV912		<b>433,31</b>	<b>445,55</b>	<b>456,04</b>	<b>476,68</b>	<b>494,86</b>	<b>533,33</b>	<b>613,42</b>
<b>Savo Invite L</b>	Polished design with armrests	SAV910L		<b>526,34</b>	<b>538,93</b>	<b>549,42</b>	<b>569,70</b>	<b>588,24</b>	<b>626,36</b>	<b>720,44</b>
	Black design with armrests	SAV912L		<b>500,11</b>	<b>512,35</b>	<b>523,19</b>	<b>543,48</b>	<b>561,66</b>	<b>600,13</b>	<b>690,01</b>
<b>Savo Invite High</b>	Polished design, high	SAV911		<b>477,73</b>	<b>490,67</b>	<b>501,86</b>	<b>523,19</b>	<b>542,43</b>	<b>582,64</b>	<b>670,08</b>
	Black design, high	SAV913		<b>455,69</b>	<b>468,63</b>	<b>480,17</b>	<b>501,51</b>	<b>520,39</b>	<b>560,96</b>	<b>644,90</b>
<b>Savo Invite High L</b>	Polished design, high, with armrests	SAV911L		<b>549,42</b>	<b>562,36</b>	<b>573,90</b>	<b>594,89</b>	<b>614,47</b>	<b>654,69</b>	<b>752,96</b>
	Black design, high, with armrests	SAV913L		<b>525,99</b>	<b>538,93</b>	<b>550,12</b>	<b>571,80</b>	<b>590,69</b>	<b>630,91</b>	<b>725,68</b>
	Options									
	Unbraked castors for hard floors, 5 pcs	SAV930	<b>0,00</b>							
	Unbraked castors for soft floors, 5 pcs	SAV931	<b>0,00</b>							
	Intervally braked castors for hard floors, 5 pcs	SAV932	<b>0,00</b>							
	Foot support, chrome	SAV933	<b>136,39</b>							
	Foot support, black	SAV934	<b>124,85</b>							
	To order for existing chairs									
	Foot support, chrome	SAV938	<b>163,67</b>							
	Foot support, black	SAV947	<b>152,13</b>							
	Back cover in Mesh, black or white	SAV939	<b>47,56</b>							
	Black armrests, pair	SAV940	<b>84,28</b>							
	Armrests in chrome, pair	SAV941	<b>85,68</b>							

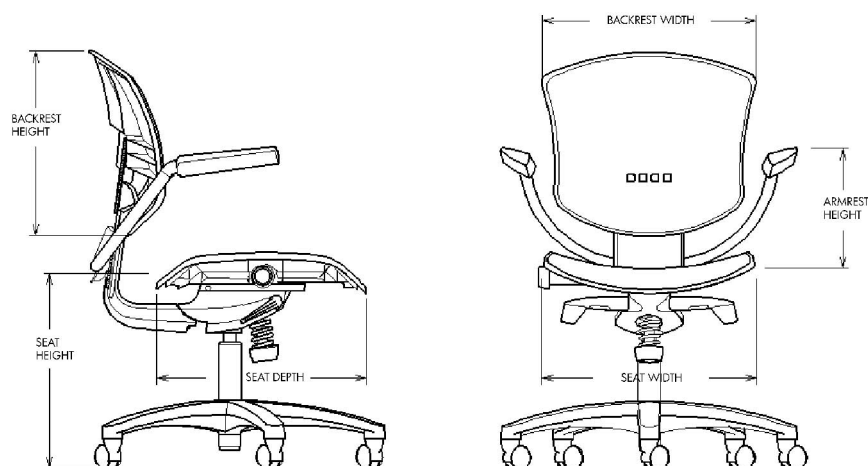
## DESCRIPTION AND PRICES FOR OPTIONS

Art no		ASTARTE/APOLLO	EOS	IKON/MAXIKON	SAVO S3	STOOL	STUDIO	XO	Price in €
<b>Castors</b>									
K05A10	Intervally braked castors for hard floors	•	•	•	•	•	•	•	0,00
K05A11	Unbraked castors for soft floors	•	•	•	•	•	•	•	0,00
K05A51	Glides					•	•		0,00
<b>Base and gas actions</b>									
SAV518	Low gas action, black				•				18,98
SAV519	Low gas action, polished				•				18,98
SAV85	Polished small base, long gas action, footrest and castors					•			144,18
SAV86	Polished small base, extra long gas action, footrest and castors					•			184,15
SAV66	Long gas action, black					•	•		18,98
SAV607	Long gas action, black	•	•	•	•			•	18,98
SAV67	Long gas action, polished					•	•		18,98
SAV613	Long gas action, polished	•	•	•	•			•	18,98
SAV93	Extra long gas action, polished					•	•		54,12
SAV94	Footrest	•	•	•	•	•	•	•	90,87
SAV608	Long gas action (polished) with footrest	•	•	•	•			•	117,52
<b>Backrest and seat</b>									
SAV508	CMHR-foam for Savo S3				•				0,00
SAV640	CMHR-foam for Savo stool					•			0,00
SAV641	CMHR-foam for Savo Studio						•		0,00
SAV642	CMHR-foam for Savo Ikon			•					0,00
SAV643	CMHR-foam for Savo Maxikon			•					0,00
SAV644	CMHR-foam for Savo Eos		•						0,00
SAV645	CMHR-foam for Savo Astarte	•							0,00
SAV646	CMHR-foam for Savo Apollo	•							0,00
SAV647	CMHR-foam for Savo XO							•	0,00
<b>Armrests</b>									
SAV616	Multi armrests (L-models)		•						43,21

## MEASUREMENTS

Model	Seat height std.lift <sup>1)</sup>	Seat		Backrest		Armrests height from seat <sup>4)</sup>	Seat depth regulation
		Width	Depth	Width	Height		
<b>Ikon1</b>	385-505	440	463	477	417	185-265	400-500
<b>Ikon2</b>	400-520	455	478	477	417	170-250	400-500
<b>Ikon3</b>	400-520	455	478	480	432	170-250	370-470
<b>Ikon4</b>	400-520	455	478	480	432	170-250	370-470
<b>Ikon5</b>	400-520	455	478	480	432	170-250	370-470
<b>Maxikon3</b>	400-520	455	478	480	516	170-250	370-470
<b>Maxikon4</b>	400-520	455	478	480	516	170-250	370-470
<b>Maxikon5</b>	400-520	455	478	480	516	170-250	370-470
<b>Savo S3</b>	420-535	550	500	450	530	200-270	400-480
<b>XO M</b>	390-520	485	460	485	740	200-275	450-510
<b>XO HN</b>	390-520	485	460	485	880 <sup>2)</sup>	200-275	450-610
<b>XO Conf. M <sup>3)</sup></b>	390-520	485	460	485	740	250	
<b>Eos</b>	410-550	460	450	360	440	180-280	444-494
<b>Eos H</b>	410-550	460	450	360	510	180-280	444-494
<b>Astarte</b>	430-590	460	450	400	470	180-260	410-495
<b>Apollo</b>	430-590	460	450	470	550	180-260	410-495
<b>Apollo H</b>	430-590	460	450	470	670	180-260	410-495
<b>Stool</b>	410-540	Ø 360					
<b>Studio 22</b>	380-510	410	390	360	220		385-425
<b>Studio 32</b>	405-535	460	460	410	245		400-445
<b>Savo Invite</b>	370-480	490	480	440	400		445
<b>Savo Invite L</b>	370-480	490	480	440	400	235	445
<b>Savo Invite High</b>	520-710	490	480	440	400		445
<b>Savo Invite High L</b>	520-710	490	480	440	400	235	445

1) Measurements (+/- 0,5-1,0 cm) according to "Møbelfakta" with 64 kg load. 2) Head support in lowest position. 3) Total chair width: 66 cm. 4) Refer to chair with armrests (L).



**EFG International**

EFG European Furniture Group AB  
Trehörnavägen 2  
P.O. Box 1017  
SE-573 28 Tranås  
Sweden  
Tel +46 140 67525  
Fax +46 140 31 18 44  
export@efg.se

**France**

EFG Mobilier de bureau Sarl  
Paris Nord II  
33 Rue des Chardonnerets Bât F  
BP 49032 Tremblay en France  
95912 Roissy ch de gaulle Cedex  
Tel +33 1 48 63 73 98  
Fax + 33 1 48 63 73 99  
efg.info@efg.fr



European Furniture Group

[www.efg.info](http://www.efg.info)



Office seating

[www.savo.com](http://www.savo.com)